

EF TAPPING VALVE

PE100 SDR11

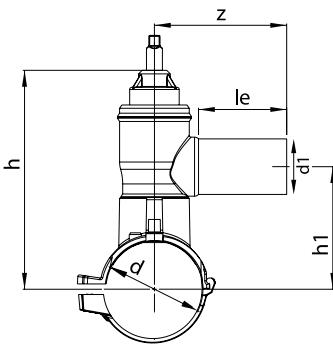
Injected monoblock type

4mm pin connectors

Long spigot outlet

The valve is closed clockwise Opening on the spanner is 18 turns

16 Bar Water



L : Uzunluk (Length)

d	d1	Article No	le	h	h1	Z	L	Weight	Box	Compatibility
mm	mm		mm	mm	mm	mm	mm	kg	pcs	SDR
90	63	001 117 2072 0092	100	237	128	152	140	2,450	5	11..17
90	32	001 117 2072 0095	74	237	128	126	140	2,390	5	11..17
110	63	001 117 2072 0113	100	247	138	152	140	2,510	5	11..17
110	32	001 117 2072 0116	74	247	138	126	140	2,450	5	11..17
125	63	001 117 2072 0129	100	254	145	152	140	2,540	5	11..17
125	32	001 117 2072 0132	74	254	145	126	140	2,480	5	11..17
140	63	001 117 2072 0145	100	262	153	152	140	2,540	5	11..17
140	32	001 117 2072 0148	74	262	153	126	140	2,480	5	11..17
160	63	001 117 2072 0166	100	272	163	152	140	2,550	5	11..17
160	32	001 117 2072 0169	74	272	163	126	140	2,490	5	11..17
180/200	63	001 117 2072 0208	100	292	183	152	160	2,670	5	11..17
180/200	32	001 117 2072 0211	74	292	183	126	160	2,610	5	11..17
225/250	63	001 117 2072 0260	100	317	208	152	160	2,690	5	11..17
225/250	32	001 117 2072 0263	74	317	208	126	160	2,630	5	11..17
280/315	63	001 117 2072 0327	100	349	240	152	160	3,090	5	11..17
280/315	32	001 117 2072 0330	74	349	240	126	160	3,030	5	11..17

